



FIUS0502G70

CE

- EN** USE AND CARE
- ES** EMPLEO Y MANUTENCION
- FR** UTILISATION ET ENTRETIEN



6V

John Deere **E-TRACTOR**

Model Number IGED1061

SEE VERBAL INSTRUCTIONS
AFTER THE PICTURES

VER LAS INSTRUCCIONES
DESPUÉS DE LOS DISEÑOS

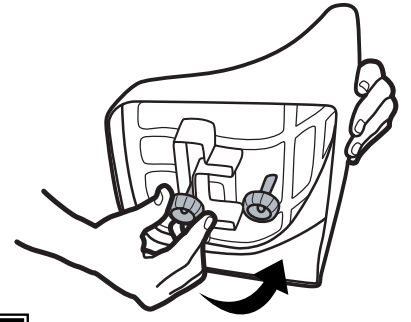
VOIR LES INSTRUCTIONS
APRÈS LES DESSINS

ASSEMBLY

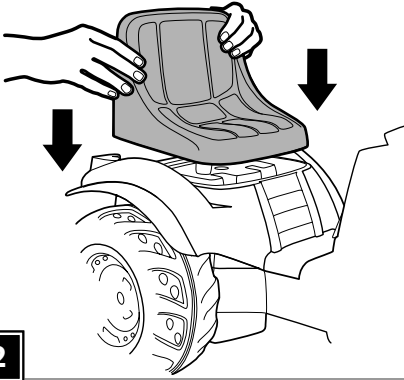
MONTAJE

MONTAGE

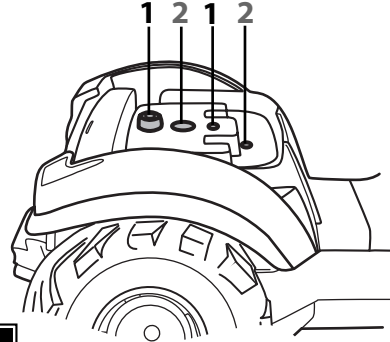
1



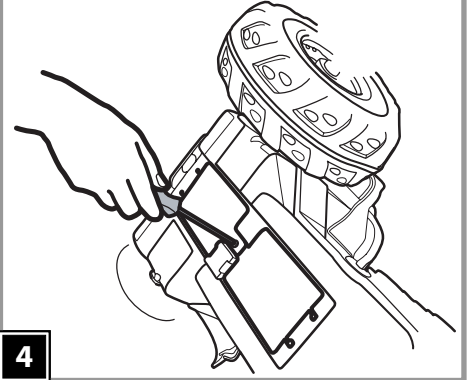
2



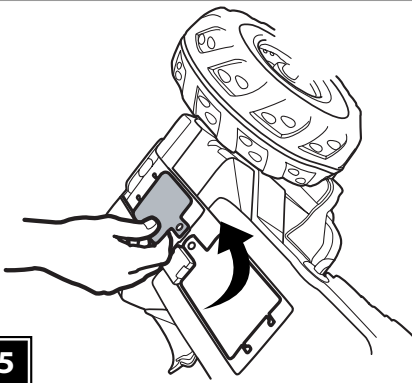
3



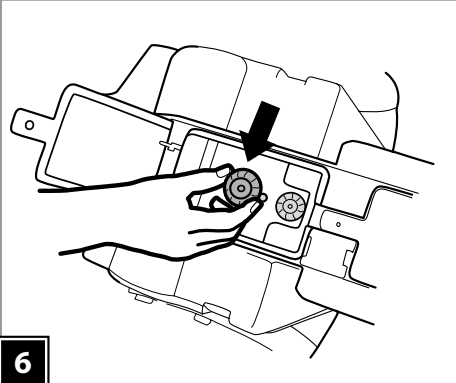
4



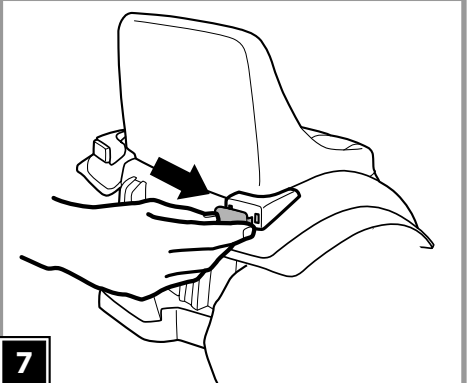
5



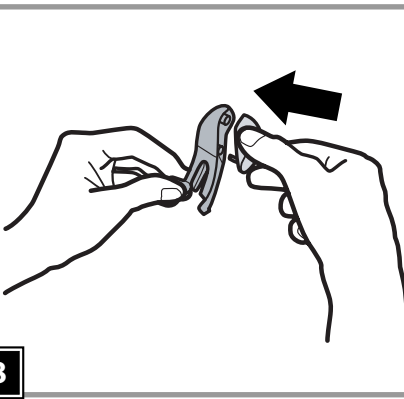
6



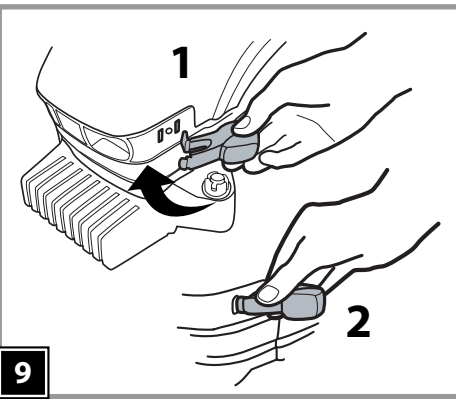
7



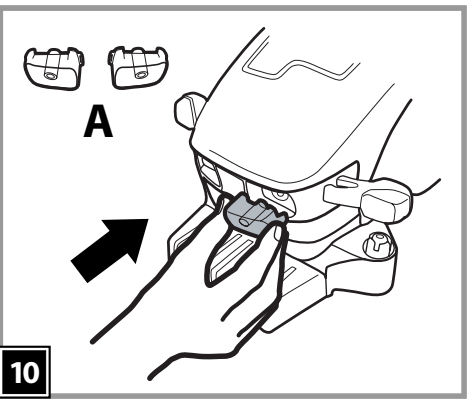
8



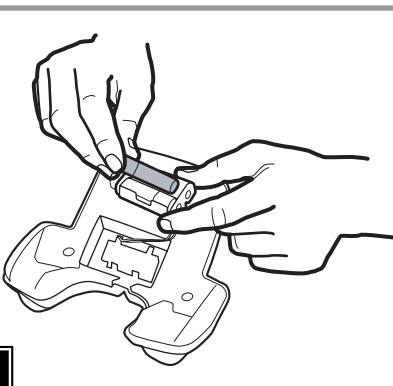
9



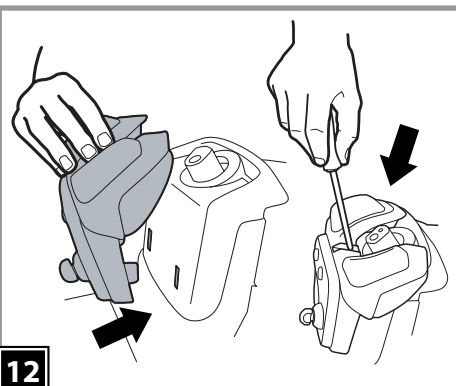
10



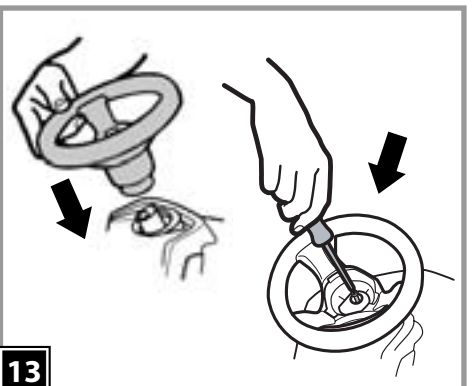
11

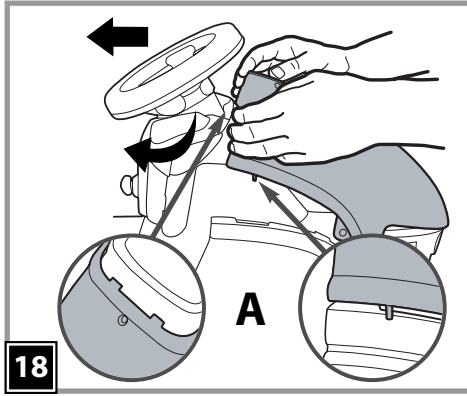
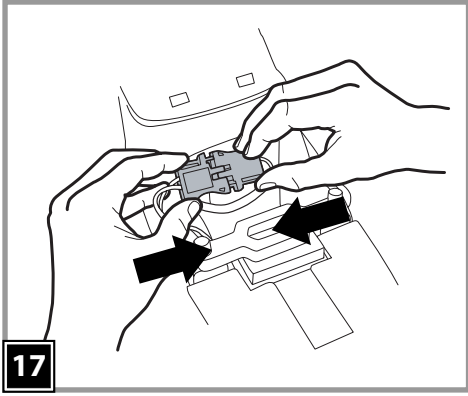
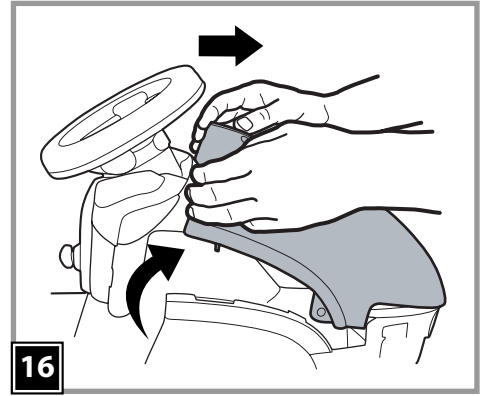
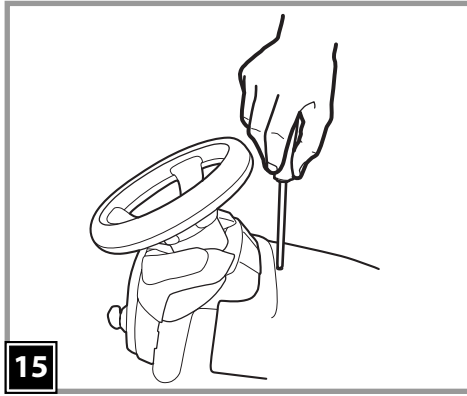
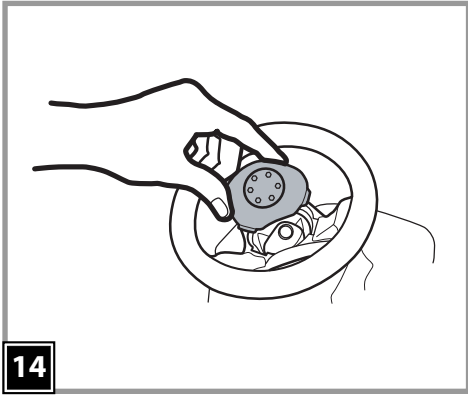


12



13

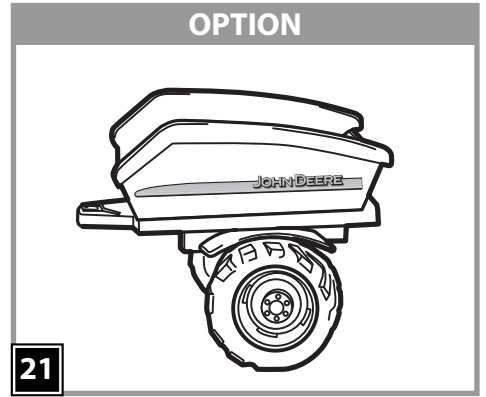
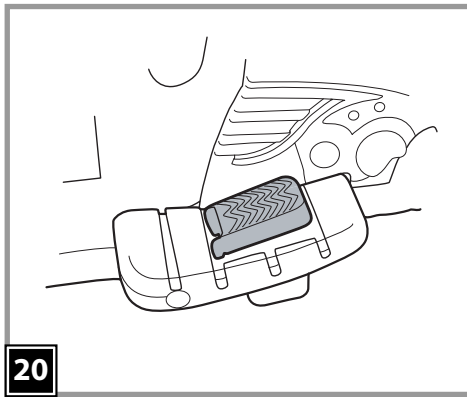
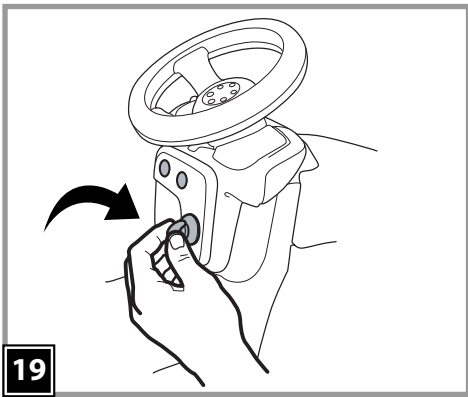




VEHICLE FEATURES AND INSTRUCTIONS FOR USE

CARACTERÍSTICAS Y USO DEL VEHÍCULO

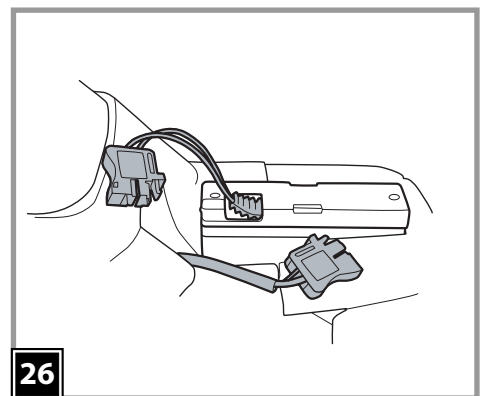
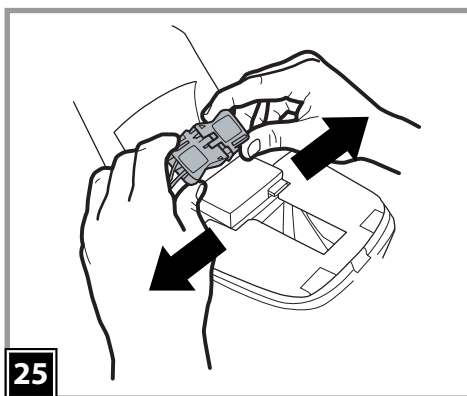
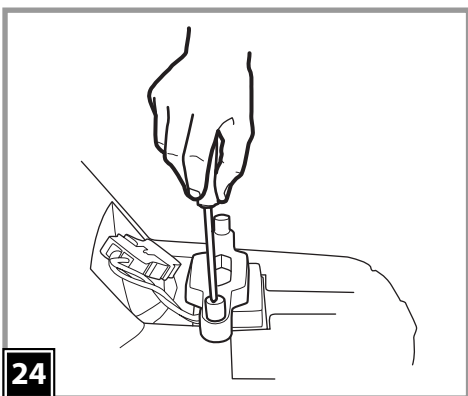
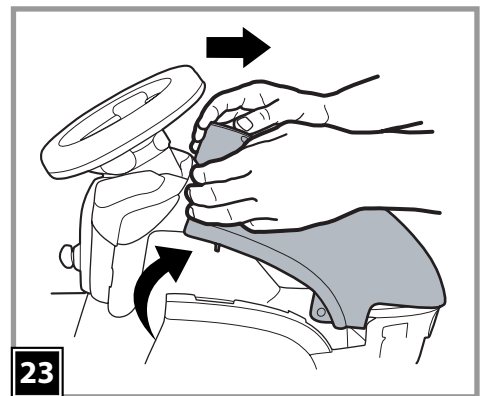
CARACTÉRISTIQUES ET UTILISATION DU VEHICULE

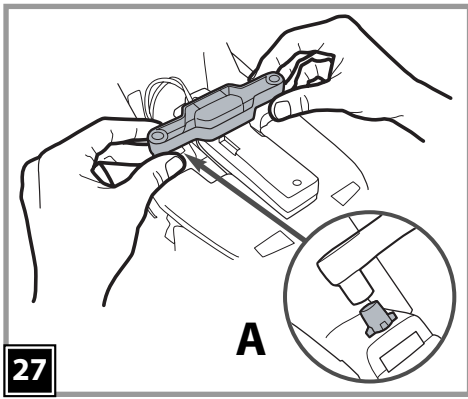


REMOVING THE BATTERY

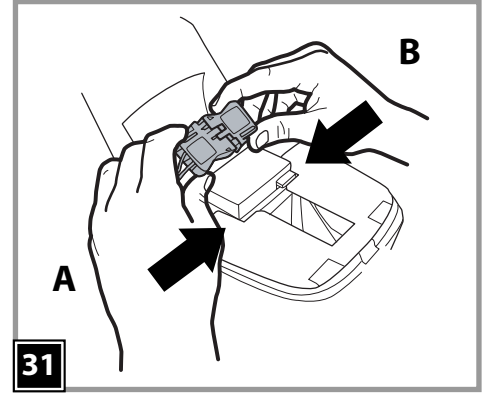
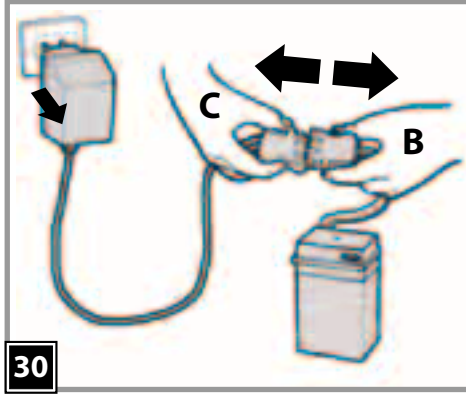
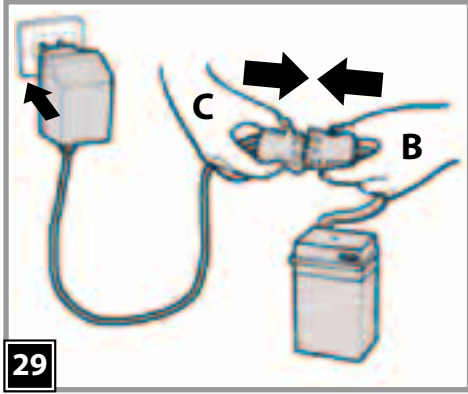
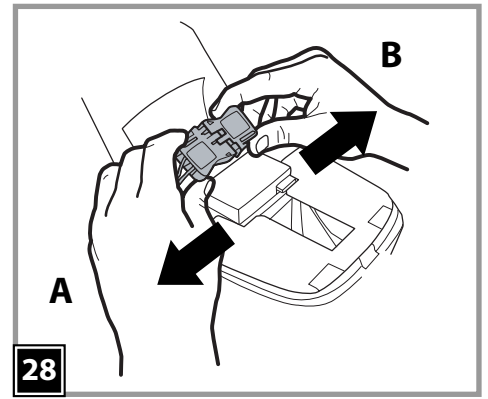
CAMBIO DE LA BATERÍA

REPLACEMENT DE LA BATTERIE





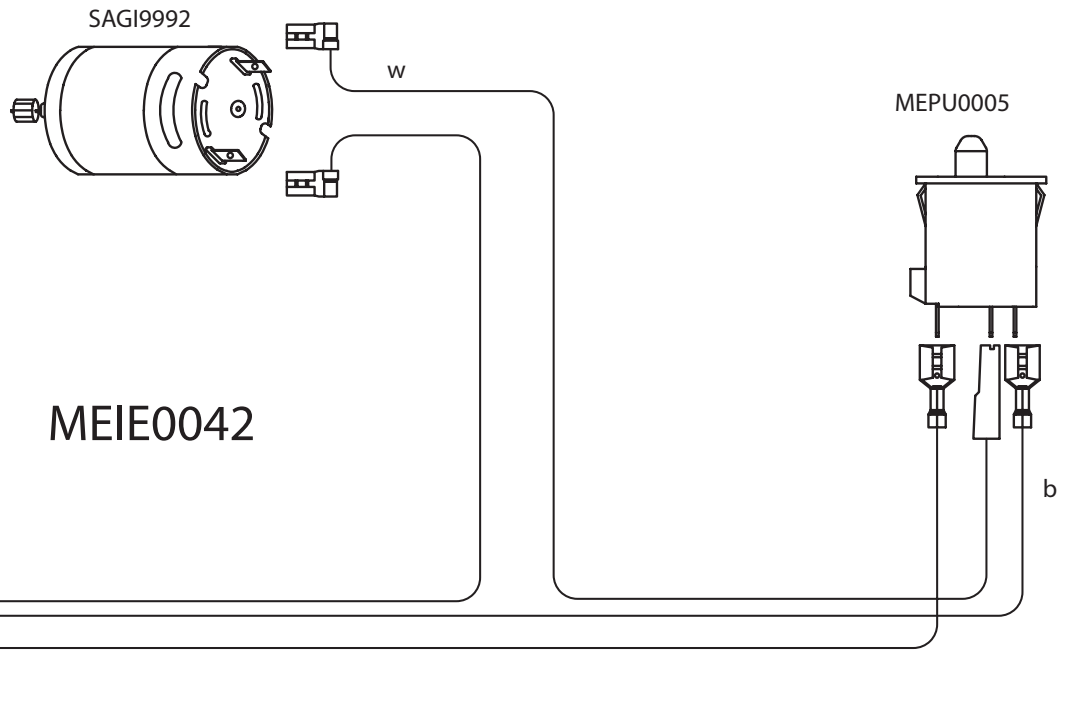
BATTERY RECHARGE
CARGA DE LA BATERÍA
CHARGE DE LA BATTERIE



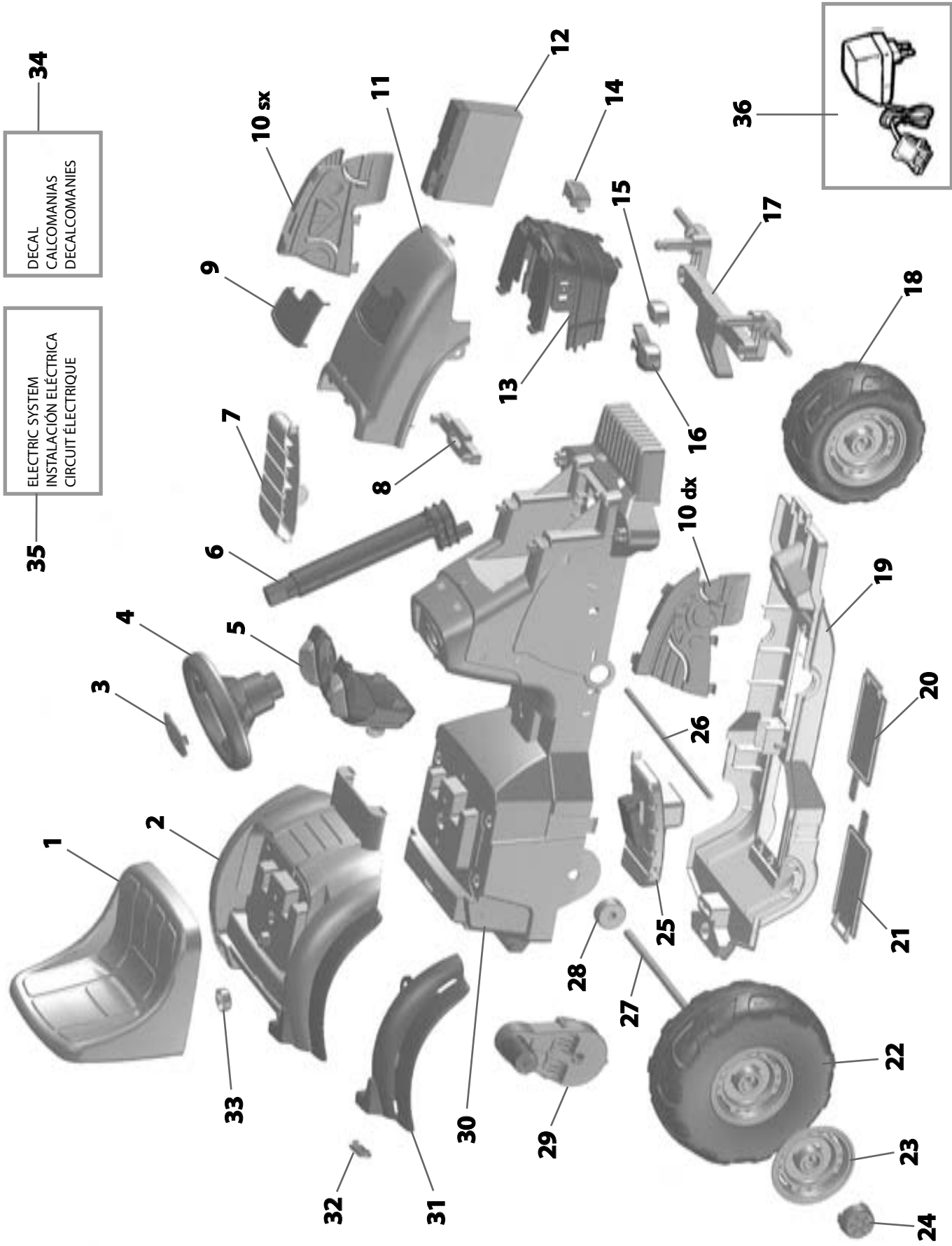
b = blue
bk = black
r = red
w = white

b = azul
bk = negro
r = rojo
w = blanco

b = bleu
bk = noir
r = rouge
w = blanc



- 1 SAGI8343Y
- 2 SAGI8340VBGP
- 3 SPST8347N
- 4 ASGI0145NY
- 5 SAG18581GP
- 6 SPST8249N
- 7 SPST8552SGP
- 8 SPST8551N
- 9 SPST8338N
- 10 dx SPST8553DVB
- 10 sx SPST8553SVB
- 11 SPST8333WVB
- 12 IAKB0016
- 13 SPST8334WN
- 14 dx SPST8335D
- 14 sx SPST8335S
- 15 SPST8337A
- 16 dx ASGI0144DNA
- 16 sx ASGI0144SNA
- 17 SAGI8348N
- 18 dx SARP8325DNY
- 18 sx SARP8325SNY
- 19 SPST8331WNP
- 20 SPST8332JNP
- 21 SPST8332KNP
- 22 dx SARP8326DNY
- 22 sx SARP8326KSNY
- 23 SPST8344Y
- 24 SPST8345VB
- 25 ASGI0160GPN
- 26 SOFF0197Z
- 27 SOFF0171T
- 28 SPST8354GP
- 29 SAGI9963KKK
- 30 SPST8330WGP
- 31 dx SPST8341DGP
- 31 sx SPST8341SGP
- 32 SPST8342RF
- 33 SPST8207R
- 34 MMEV0245
- 35 MEIE0042
- 36 IKCB



35 — ELECTRIC SYSTEM
INSTALACIÓN ELÉCTRICA
CIRCUIT ÉLECTRIQUE

34 — DECAL
CALCOMANIAS
DECALCOMANIES

ENGLISH

•PEG PEREGO® thanks you for choosing this product. For over 50 years, PEG PEREGO has been taking children for an outing: first with its famous baby carriages and strollers, later with its pedal and battery operated toy vehicles.

•Read this instruction manual carefully to learn the use of the vehicle and to teach your child safe and enjoyable driving. Please keep this manual for use as a reference in the future.

•Our toys conform with the safety requirements provided by the Council of the EEC, of the T.U.V.; of the I.I.S.G. Istituto Italiano Sicurezza Giocattoli, and the U.S. Consumer Toy Safety Specification F963.



Peg Perego S.p.A. is an ISO 9001 certified company.

The fact that we are certified provides a guarantee of our honesty for our customers, and fosters trust in the company's way of working.

•Peg Perego reserves the right to modify or change its product. Price, literature, manufacturing processes or locations or any combination of the above mentioned entities may change at any time for any reason without notice with impunity.

Years 2-4 Weight capacity 55 lbs

⚠ CAUTION:

ELECTRIC VEHICLE NOT RECOMMENDED FOR CHILDREN UNDER 2 YEARS OF AGE. AS WITH ALL ELECTRIC PRODUCTS, PRECAUTIONS SHOULD BE OBSERVED DURING HANDLING AND USE TO PREVENT ELECTRIC SHOCK. RECHARGER INCLUDED. 120 VOLTS, 60Hz, 15W INPUT, 6 VOLTS (DC) OUTPUT.

CUSTOMER SERVICE

PEG PEREGO offers after-sales services, directly or through a network of authorized service centers for repairs or replacement parts. See the back cover of this instruction manual for contact information.

ASSEMBLY INSTRUCTIONS

⚠ CAUTION:

ADULT ASSEMBLY REQUIRED. USE CARE WHEN UNPACKING AS COMPONENTS TO BE ASSEMBLED MAY POSE A SMALL PARTS/SHARP EDGE HAZARD. BATTERY ALREADY INSTALLED IN VEHICLE.

ASSEMBLY

- 1 • Unscrew the 2 knobs under the seat.
- 2 • Position the seat as shown in the figure.
- 3 • IMPORTANT: the seat can be adjusted to 2 positions depending on the height of the child (see figure). Position 1: the seat is higher and further back. Position 2: the seat is lower and further forward.
- 4 • Turn the vehicle on its side, keeping the seat in position. Unscrew the frame under the vehicle.
- 5 • Open the cover to access the seat fixing screws.
- 6 • Screw on the two seat fixing knobs as shown in the figure. Close and screw on the cover.
- 7 • Snap on the 2 rear lights.
- 8 • Assemble the indicators as shown in the figure.
- 9 • Fit the 2 indicators at the front of the vehicle, as shown in figures 1-2, taking care that the

- hollow part of the indicator is facing down.
- 10 • Press on the 2 headlights as shown in detail A.
- 11 • Unscrew the door on the back of the electronic unit. Insert the two AA batteries -Not included- into their holder, taking care to respect correct polarity. Close the door and screw shut.
- 12 • Attach the electronic unit by inserting the two tabs into the openings in the chassis, as shown in the figure. Fasten with the screw.
- 13 • Position the steering wheel. Fix the steering wheel with the screw and washer provided.
- 14 • Push on the steering wheel cap as shown in the figure.
- 15 • Unscrew the hood.
- 16 • Pull the hood towards you while lifting and turning it to remove (see figure).
- 17 • Connect the battery plug to the electric system plug.
- 18 • Close the hood, taking care to correctly insert the tabs into the openings in the chassis. ATTENTION: Detail A shows the hood incorrectly attached. The vehicle is ready for use.

VEHICLE FEATURES AND INSTRUCTIONS FOR USE

- 19 • ELECTRONIC UNIT: to activate the electronic unit, turn the key. To sound the horn, press the right button on the dash. To turn the flashers on, press the left button on the dash. To avoid draining the battery, turn the key counterclockwise when the vehicle is not in use.
- 20 • ACCELERATOR PEDAL/ELECTRIC BRAKE: when the foot is lifted from the accelerator pedal, the electric brake automatically stops the tractor.
- 21 • OPTION: Trailer

REPLACING THE BATTERY

- 22 • Unscrew the hood.
- 23 • Pull the hood towards you while lifting and turning it to remove (see figure).
- 24 • Loosen the 2 screws that hold the battery in place.
- 25 • Disconnect the 2 plugs and remove the battery supplied with the vehicle.
- 26 • Insert a new 6V-8Ah battery and connect the two plugs.
- 27 • Screw the battery clamp into place again, turning it upside down as shown in the figure. Close the hood as described above (fig. 18) and fasten with the screw.

BATTERY RECHARGE

⚠ WARNING:

WARNING: BATTERY CHARGING AND ANY OTHER OPERATION ON THE ELECTRICAL SYSTEM MUST BE CARRIED OUT BY ADULTS ONLY. THE BATTERY CAN ALSO BE CHARGED WITHOUT REMOVING IT FROM THE VEHICLE.

- 28 • Unplug vehicle wiring terminal A from battery terminal B, by pressing terminals on side and pulling apart.
- 29 • Plug the battery charger terminal to a wall outlet following the instructions enclosed. Connect the plug B to the battery charger plug C.
- 30 • Once the charge is completed unplug recharger from wall outlet. Unplug recharger cord terminal C from battery terminal B.
- 31 • Plug battery terminal A into vehicle wiring terminal B. Close hood.

BATTERY MAINTENANCE AND SAFETY

Before riding, charge your batteries for 18 hours to initiate them. Failure to do this will result in permanent battery damage.

⚠ CAUTION:

Only adults should recharge batteries, never children. Never allow children to handle batteries.

Only use the batteries specified by the manufacturer. Only use the charger specified by the manufacturer.

Do not mix old and new batteries. Do not mix alkaline, standard (carbon-zinc), or rechargeable (nickel-cadmium) batteries.

CHARGING THE BATTERY

- Charge the batteries no longer than 24 hours, following the instructions enclosed with the battery charger.
- Charge the battery, as the vehicle shows low power, in this way you will avoid damage to the battery.
- If you don't use your vehicle for a long period of time unplug the battery from the main wire harness of the vehicle. Remember to charge the battery at least every three months.
- Never charge the battery upside down.
- Do not forget batteries during charging! Check them periodically.
- Never use a replacement recharger or batteries unless they are approved by PEG PEREGO.
- Batteries are sealed and maintenance free.
- Battery polarity must be observed when connecting battery to wiring.

⚠ WARNING:

- BATTERIES CONTAIN TOXIC AND CORROSIVE SUBSTANCES. DO NOT TAMPER WITH THEM.
- Batteries contain an acid-based electrolyte.
- Do not make direct contact between battery terminals, as this can cause an explosion or fire.
- Charging produces explosive gases. Charge batteries in a well ventilated area away from sources of heat and flammable materials.
- Exhausted batteries are to be removed from the vehicle.
- Do not place the batteries near clothing to avoid damage.

IF A LEAK DEVELOPS

Shield your eyes. Avoid direct contact with the electrolyte, protect your hands. Place battery in a plastic bag and follow directions listed below.

IF ELECTROLYTE COMES IN CONTACT WITH SKIN OR CLOTHING Flush with cool water for at least 15 minutes. See a physician at once.

IF ELECTROLYTE IS INGESTED

Give tap water, milk of magnesia or egg whites at once. Do not induce vomiting. See a physician at once.

DISPOSAL OF BATTERIES

Help protect the environment!

Do not throw used batteries in your regular, household trash.

Dispose of the old batteries in an approved dumping station; contact your local environmental protection agency office for further information.



⚠ CAUTION 1,5V BATTERY

The insertion of batteries must only be carried out or supervised by adults. Do not let children play with the batteries.

- The batteries should be replaced by an adult.
- Use only the type of battery specified by the manufacturer.
- Respect the polarity +/-
- Do not allow the batteries to be in contact with metal parts (risk of fire or explosion).
- Always remove the batteries if the toy is not in use for a long period.
- Do not throw batteries on the fire.
- Never attempt to charge batteries that are not rechargeable.
- Remove dead batteries from the toy.
- Dispose of dead batteries into containers provided for the recycling of dead batteries.



VEHICLE MAINTENANCE AND SAFETY

This product conforms to EN 71 and conforms to EN 50088 safety standard for electric toys.

This vehicle is not intended for use on streets, around traffic or parked cars.

This product meets and/or exceeds all ASTM TOY SAFETY STANDARDS, including F 963, Consumer Toy Safety Specifications.

MAINTENANCE AND CARE

- Regularly check the conditions of the vehicle, particularly the electrical system, the plug connections, the covering caps and the charger. In case of fault, do not try to use the vehicle and the charger. For repair use only original PEG PEREGO's spare parts.
- PEG PEREGO assumes no liability if the electrical system is tampered with.
- Do not leave vehicle or batteries

near sources of heat such as radiators, stoves, fireplaces, etc.

- Protect vehicle from water, rain, snow, etc.
- When operating in overload conditions, such as soft deep sand, mud or rough uneven terrain, the overload circuit breaker will automatically disconnect the power. After 10 or more seconds, the circuit breaker will automatically reset, however you must eliminate overload conditions to resume normal driving.
- Periodically lubricate (with a light weight oil) moving parts, such as wheel bearings, steering linkages, where they rotate or touch one another.
- The vehicle's surface can be cleaned with a damp cloth. Do not use abrasive cleaners. The cleaning must be carried out by adults only.
- Never disassemble the vehicle mechanisms or motor unless authorized by PEG PEREGO.

Conforms to EN 50088
Rechargeable battery 6V 4,5Ah
sealed lead-acid battery.
One 60W motors

SAFETY

⚠ WARNING:

- To reduce the risk of injury, adult supervision is required. Never use in roadways, near motor vehicles, on or near steep inclines or steps, swimming pools or other bodies of water; always wear shoes, and never allow more than one rider.
- Surfaces that are appropriate for safe use: asphalt, cement, tiles.
- A child must be 2 years of age or older for the necessary coordination and maturation to operate this motorized vehicle safely.
- Never use the vehicle on steep slopes or near steps or stairs. This vehicle is not suitable for use on public highways.
- Do not allow children to place their hands, feet or any part of their body, clothing or other articles near the moving parts while vehicle is in operation.
- Do not allow the electrical components, motors, wiring, switches of your motorized vehicle to become wet and never wash it with a hose.
- Never use gasoline or other flammable substances near the vehicle.

RULES FOR SAFE DRIVING

DON'T STOP THE FUN: always have freshly charged, back-up batteries on hand.

For your child's safety: please read and follow all instructions below before operating.

- **ATTENTION:**
Check all fasteners to be sure they are tight.
- **FORWARD SPEED:**
With both hands on the handlebars, press down on the accelerator pedal; the vehicle goes forward at 2,6 mph.
- **BRAKE:**
The electric braking system stops the vehicle automatically when your child lifts his foot off the pedal.

Teach your child the proper use of this vehicle for a safe and fun play time.

- Before starting be sure that the way is free from people and objects.
- Drive with both hands on the handlebar and keep your eyes on the road at all times.
- Stop in time to avoid accidents.

⚠ CAUTION:

- **When operating in overload conditions, such as soft deep sand, mud or rough uneven terrain, the overload circuit breaker will automatically disconnect the power. After 10 or more seconds, the circuit breaker will automatically reset, however you must eliminate overload conditions to resume normal driving.**

PROBLEMS?

IF THE VEHICLE DOES NOT OPERATE?

- Check that all the plugs are properly connected.
- Check electrical switches. Replace if necessary.
- Check that the battery is connected to the electrical system.

IF THERE IS NO POWER?

- Fully recharge the batteries. If the problem persists, check with an Authorized PEG PEREGO Service Center.

•PEG PEREGO® le agradece que haya elegido este producto. Hace más de 50 años que PEG PEREGO lleva a pasear a los niños: al nacer, con sus famosos cochecuna y coches de paseo, después con los fantásticos vehículos de juguete a pedal y con batería.

•Lea atentamente este manual de instrucciones para familiarizarse con el uso del modelo y enseñar a su niño un modo de conducir correcto, seguro y divertido. Conserve después el manual para cualquier consulta futura.

•Nuestros juguetes respetan los requisitos de seguridad previstos por el Consejo de la EEC, por el "U.S. Consumer Toy Safety Specification F963" y están aprobados por el T.Ú.V. y por el I.I.S.G. Istituto Italiano Sicurezza Giocattoli.



Peg Perego S.p.A. cuenta con la certificación ISO 9001.

Dicha certificación ofrece tanto a los clientes como a los consumidores la garantía de una transparencia y confianza por lo que concierne al modo de trabajar de la empresa.

•Peg Perego se reserva el derecho de aportar modificaciones a sus productos. El precio, el manual adjunto, los procesos o lugares de fabricación o una combinación de estos factores pueden provocar cambios sin previo aviso y sin que ello suponga ninguna obligación para Peg Perego.

Años 2-4

Peso transportable

55 lbs / 24,9 kg

⚠ PRECAUTION:

LOS VEHICULOS ELECTRICOS NO SON RECOMENDABLE PARA NIÑOS MENORES DE 2 AÑOS. COMO TODOS LOS PRODUCTOS ELECTRICOS, CUANDO SE ESTA MANEJANDO OBSERVE LAS MEDIDAS DE PRECAUCION PARA PREVENIR UN CHOQUE ELECTRICO. EL CARGADOR ESTA INCLUIDO. 120 VOLTS, 60Hz, 15W DE ENTRADA, 6 VOLTS (DC) DE SALIDA.

SERVICIO DE ASISTENCIA

PEG PEREGO ofrece un servicio de asistencia post-venta, directamente o a través de una red de centros de asistencia técnica autorizados, para eventuales reparaciones o sustituciones y venta de recambios originales. Para contactar con los centros de asistencia véase la parte de atrás de la cubierta de este manual de instrucciones.

INSTRUCCIONES DE MONTAJE

⚠ PRECAUTION:

REQUIERE MONTAJE DE UN ADULTO. ALGUNOS COMPONENTES AL SER ENSAMBLADOS PODRÍAN TENER PARTES PEQUEÑAS/RIESGO POR BORDES CONTANTES. LA BATERÍA YA ESTÁ DENTRO DEL VEHÍCULO.

MONTAJE

- 1 • Desenroskar los 2 pomos que hay debajo del asiento.
- 2 • Poner el asiento como indica la figura.
- 3 • ATENCIÓN: el asiento se puede regular en 2

posiciones según la altura del niño (véase la figura). Posición 1: el asiento está más alto y retrasado; posición 2: el asiento está más bajo y adelantado.

- 4 • Poner el vehículo de lado manteniendo en posición el asiento. Destornillar la tapa del alojamiento-chasis que está debajo del vehículo.
- 5 • Abrir la tapa para acceder a los pivotes de fijación del asiento.
- 6 • Enroscar los 2 pomos de fijación del asiento como indica la figura. Cerrar y volver a atornillar la tapa.
- 7 • Montar a presión los 2 cristales de los faros posteriores.
- 8 • Ensambalar los intermitentes como indica la figura.
- 9 • Montar las 2 flechas en la parte delantera del vehículo, tal y como se indica en las figuras 1-2 y prestando atención a que la parte hueca de la flecha quede hacia abajo.
- 10 • Montar a presión los dos faros delanteros de manera correcta como indica la figura A.
- 11 • Destornillar la tapa que hay detrás del módulo electrónico, meter dos pilas de 1,5 Voltios - No inclusa- en la cavidad correspondiente, respetando la polaridad. Volver a cerrar la tapa atornillando.
- 12 • Enganchar el módulo electrónico metiendo las dos lengüetas en los huecos de la carrocería, como indica la figura y sujetarlo con el tornillo.
- 13 • Colocar el volante. Fijar el volante con la arandela y el tornillo que se entrega.
- 14 • Poner a presión el tapón del volante como indica la figura.
- 15 • Destornillar el capó.
- 16 • Tirar hacia sí el capó, levantándolo al mismo tiempo con un movimiento rotatorio (véase la figura) y sacarlo.
- 17 • Conectar la clavija de la batería a la de la instalación.
- 18 • Volver a cerrar el capó metiendo bien las lengüetas en los huecos de la carrocería. ATENCIÓN: en el detalle A se ve el enganche incorrecto del capó. El vehículo ya está listo para ser usado.

CARACTERÍSTICAS Y USO DEL VEHÍCULO

- 19 • MÓDULO ELECTRÓNICO: para accionar el claxon, presionar en el salpicadero el botón derecho. Para accionar las luces intermitentes, presionar en el salpicadero el botón izquierdo. Se aconseja girar la llave en el sentido contrario de las agujas de reloj cuando se termina de utilizar el vehículo para evitar que se descargue la batería.
- 20 • PEDAL ACELERADOR/FRENO ELÉCTRICO: al levantar el pie del pedal, el freno entra en funcionamiento automáticamente.
- 21 • OPCIONAL: Remolque.

CAMBIO DE LA BATERÍA

- 22 • Destornillar el capó.
- 23 • Tirar hacia sí el capó, levantándolo al mismo tiempo con un movimiento rotatorio (véase la figura) y sacarlo.
- 24 • Quitar los 2 tornillos del sujeta-batería.
- 25 • Desconectar las 2 clavijas y sacar la batería que se entrega con el vehículo.
- 26 • Meter la batería sustitutiva de 6V-8Ah conectando las 2 clavijas.
- 27 • Volver a atornillar el sujeta-batería dando la vuelta como indica la figura. Cerrar el capó como se ha descrito con anterioridad (fig. 18) y sujetar con el tornillo.

CARGA DE LA BATERÍA

⚠ ATENCIÓN:

LA OPERACIÓN DE CARGA DE LA BATERÍA ASÍ COMO CUALQUIER INTERVENCIÓN ELÉCTRICA, DEBEN SER REALIZADAS ÚNICAMENTE POR ADULTOS.

LA BATERÍA TAMBIÉN SE PUEDE CARGAR SIN QUITARLA DEL JUGUETE.

SÓLO PARA EL BRASIL: TENSIÓN DEL CARGADOR: 12V - 60HZ. OBSERVACIÓN: NO UTILIZAR EL CARGADOR DE LA BATERÍA CON UNA TENSIÓN DE 220V.

- 28 • Desconectar la clavija-instalación A de la clavija-batería B, pulsando de lado.
- 29 • Introducir la clavija del cargador de baterías en una toma doméstica siguiendo las

instrucciones incluidas. Conectar el enchufe B con el enchufe del cargador de baterías C.

- 30 • Una vez finalizada la carga desconectar el cargador C de la toma de corriente y después desconectar la clavija C de la clavija B.
- 31 • Introducir a fondo hasta el "clíc" la clavija A e la clavija B. Finalizada la operación recuerde siempre cerrar el capó.

MANTENIMIENTO Y SEGURIDAD BATERÍAS

Antes de utilizar el vehículo por primera vez, cargar las baterías durante 18 horas. No respetar este procedimiento podría causar daños irreversibles a la batería, anulando su garantía.

⚠ ADVERTENCIAS

Las baterías deben ser cargadas sólo por personas adultas. No deje que los niños jueguen con las baterías. Use sólo las baterías especificadas por el fabricante. Use solamente el cargador especificado por el fabricante. No mezcle baterías viejas y nuevas. No mezcle baterías alcalinas, estándar (carbono-zinc) o recargables (níquel - cadmio).

CARGA DE LAS BATERÍAS

- Cargar la batería siguiendo las instrucciones incluidas en el cargador y no superar en ningún caso las 24 horas.
- Cargue las baterías a tiempo, apenas el vehículo pierda velocidad. De este modo se evitarán otros daños.
- Si el vehículo se queda sin usarlo por largo tiempo, recuérdese de cargar la batería y de mantenerla desconectada de la instalación; repita la operación de carga al menos cada tres meses.
- La batería no debe recargarse en posición invertida.
- ¡No se olvide de las baterías que se están cargando! Contrólelas periódicamente.
- Use sólo el cargador en dotación y las baterías originales PEG PEREGO.
- Las baterías están selladas y no necesitan de mantenimiento.
- Inserte las baterías con la correcta polaridad.

⚠ ATENCIÓN:

- LAS BATERÍAS CONTIENEN SUBSTANCIAS TÓXICAS CORROSIVAS. NO SE DEBEN MANIPULAR ABUSIVAMENTE.
- Las baterías contiene electrolita de base ácida.
- No provoque el contacto directo entre los terminales de la batería, riesgo de explosión o incendio.

- Mientras se están cargando, las baterías producen gas explosivos. Carguelas en un lugar bien ventilado, lejos de fuentes de calor y materiales inflamables.
- Las baterías agotadas se deben sacar del vehículo.
- No coloque las baterías sobre prendas porque se podrían dañar.

SI HAY UNA PÉRDIDA

Protéjase los ojos. Evite el contacto directo con el electrolito: proteja sus manos.

Ponga la batería en una bolsa de plástico y siga las instrucciones para la eliminación de baterías.

SI PIEL Y OJOS ENTRAN EN CONTACTO CON EL ELECTROLITO

Lave abundantemente con agua corriente durante al menos 15 minutos.

Consultar un médico inmediatamente.

SI SE INGIERE ELECTROLITO

Tome pequeños sorbos de agua, leche de magnesia o clara de huevo.

No provocar el vómito.

Consultar un médico inmediatamente.

ELIMINACIÓN DE BATERÍAS

Ayude a proteger el medio ambiente.

Las baterías usadas no se deben tirar junto con la basura doméstica. Se pueden entregar a un centro de recogida de baterías usadas o de eliminación de residuos especiales; infórmese en su Ayuntamiento.



⚠️ ADVERTENCIAS PILA 1,5 VOLTIOS

La colocación de la batería debe ser efectuada y supervisada sólo por adultos. No deje que los niños jueguen con las baterías.

- La batería debe ser sustituida por un adulto.
- Utilizar sólo el tipo de pilas indicado por el fabricante.
- Respetar la polaridad +/-
- No juntar pilas con partes metálicas; riesgo de incendio o explosión.
- Retirar siempre la pila cuando el juguete no sea utilizado durante un largo periodo.
- No tirar la pila al fuego.
- No intentar cargar nunca las pilas si no son recargables.
- Quitar las pilas descargadas.
- Tirar la pila descargada en los contenedores correspondientes

para reciclaje de batería usadas.



MANTENIMIENTO Y SEGURIDAD VEHICULO

Este producto ha sido fabricado conforme a las Normas de Seguridad EN 71 y a las Normas de Seguridad para los juguetes eléctricos EN 50088.

Este vehículo no ha sido fabricado para ser usado en la vía pública, con vehículos en movimiento o aparcados.

Este producto cumple con y/o sobrepasa los ESTÁNDARES DE SEGURIDAD ASTM TOY, incluido el F 963, Especificaciones de seguridad en juguetes para consumidores.

MANTENIMIENTO Y CUIDADOS

- Controlare periódicamente el estado del vehículo, en especial la instalación eléctrica, las conexiones de los enchufes, las caperuzas de protección y el cargador. En caso de defectos comprobados, el vehículo eléctrico y el cargador no deben utilizarse. Para las reparaciones utilizar sólo piezas de recambio originales PEG PEREGO.
- PEG PEREGO no se asume ninguna responsabilidad en caso de uso indebido de la instalación eléctrica.
- No dejare las baterías o el vehículo cerca de fuentes de calor como radiadores, caloríferos, chimeneas, etc.
- Proteger el vehículo contra el agua, lluvia, nieve, etc.;
- Si el vehículo funciona en condiciones de sobrecarga, por ejemplo sobre arena blanda, barro o terrenos muy accidentados, el interruptor de la sobrecarga desconectará inmediatamente la potencia. El suministro de corriente se reanudará una vez eliminadas las condiciones de sobrecarga.
- Lubricar periódicamente (con aceite ligero) las partes móviles como cojinetes, dirección, etc., donde girar o están en contacto entre ellas.
- Las superficies del coche deben limpiarse con un paño húmedo y, si es necesario, con productos adecuados de uso doméstico. Las operaciones de limpieza deben ser realizadas únicamente por adultos.
- No desmontar nunca los mecanismos del vehículo o los motores, sin la autorización de PEG PEREGO.

Conforme a EN 50088
batería sellada recargable de plomo ácido de 6V 4,5Ah
1 motor 60W

SEGURIDAD

⚠️ ¡ATENCIÓN!

- Para reducir el riesgo de heridas, la supervisión de un adulto es siempre necesaria. No usar nunca en carreteras, cerca de vehículos a motor, o en pendientes pronunciadas o cerca de escaleras, piscinas u otras superficies de agua; El vehículo está construido para un solo niño: no deje que lo use más de un solo niño.
- Se puede usar sobre superficies lisas: asfalto, cemento, baldosas.
- No apto para niños menores de 24 meses por sus características funcionales y dimensiones.
- No usar el vehículo en vías públicas, donde hay tránsito y coches estacionados, en pendientes pronunciadas, cerca de escaleras, canales y piscinas.
- Cuando el vehículo está funcionando, preste atención para que los niños no metan las manos, los pies u otras partes del cuerpo, cerca de las partes en movimiento.
- No mojar nunca los componentes eléctricos del vehículo como motores, cableado, botones, etc.
- No usar gasolina u otras sustancias inflamables cerca del vehículo.

REGLAS PARA CONDUCIR EN CONDICIONES DE SEGURIDAD

DIVERSIÓN SIN INTERRUPCIONES:
tenga siempre un juego de baterías cargadas de recambio listo para el uso.

Para la seguridad del niño: antes de accionar el vehículo, lea y siga atentamente las siguientes instrucciones.

- **ATENCIÓN:**
Controlar que todos los bullones de fijación estén bien sujetos.
- **MARCHA ADELANTE:**
Con ambas manos sobre el manillar, pisar el pedal del acelerador; el vehículo se pone en marcha a una velocidad reducida de aproximadamente 2,6mph.
- **FRENO:**
El sistema eléctrico de frenado bloquea automáticamente el vehículo cuando se levanta el pie del pedal del acelerador.

Enseñe a su niño el uso correcto del vehículo para que maneje en condiciones de seguridad y se divierta.

- Antes de partir, verifique que el recorrido esté libre de personas o cosas.
- Manejar con las manos sobre el manillar y mirar siempre el camino.
- Frenar a tiempo para evitar choques.

⚠ ¡ATENCIÓN!

- Si el vehículo funciona en condiciones de sobrecarga, por ejemplo sobre arena blanda, barro o terrenos muy accidentados, el interruptor de la sobrecarga desconectará inmediatamente la potencia. Después de unos 10 segundos se reanudará el suministro de corriente, pero deben eliminarse las condiciones de sobrecarga.

¿PROBLEMAS?

¿EL VEHÍCULO NO FUNCIONA?

- Controlar que todos los enchufes están correctamente conectados.
- Controlar los interruptores eléctricos y si fuera necesario sustituirlos.
- Controlar que la batería esté conectada a la instalación eléctrica.

¿EL VEHÍCULO NO TIENE POTENCIA?

- Cargar las baterías. Si después de cargarlas el problema persiste hacer controlar las baterías y el cargador de baterías en un centro de asistencia autorizado Peg Perego.

FRANÇAIS

• PEG PEREGO® vous remercie de votre confiance et vous félicite d'avoir choisi ce produit. Depuis plus de 50 ans, PEG PEREGO emmène en promenade les enfants: à peine nés, avec ses fameux landaus et poussettes et plus tard, avec ses fantastiques véhicules à pédales et à batterie.

• Lire attentivement ce manuel d'instructions pour se familiariser avec l'utilisation du modèle et enseigner à l'enfant à conduire prudemment tout en s'amusant. Garder ce manuel pour toute nécessité future.

• Nos jouets répondent aux conditions de sécurité prévues par le Conseil de la EEC, et le "U.S. Consumer Toy Safety Specification"; en outre, ils sont approuvés par le T.U.V. et par le I.I.S.G. Istituto Italiano Sicurezza Giocattoli.



Peg Perego S.p.A. bénéficie de la certification ISO 9001.

La certification assure aux clients et aux consommateurs une garantie de transparence et de confiance dans la façon dont travaille l'entreprise.

• Peg Perego pourra apporter à tout moment des modifications aux modèles décrits dans cette publication, pour des raisons de nature technique ou commerciale.

Ans 2-4

Poids transportable

55 lbs / 24,9 kg

⚠ ATTENTION:

VÉHICULE ÉLECTRIQUE NON RECOMMANDÉ POUR LES ENFANTS DE MOINS DE 2 ANS. COMME POUR TOUS LES PRODUITS ÉLECTRIQUES, DES PRÉCAUTIONS DOIVENT ÊTRE PRISES PENDANT LE MANIEMENT ET L'UTILISATION POUR PRÉVENIR LES CHOCS ÉLECTRIQUES. CHARGEUR DE BATTERIE INCLU. 120 VOLT, 60HZ, 15W, 6 VOLT (c.a.) EN SORTIE.

SERVICE D'ASSISTANCE

PEG PEREGO offre un service d'assistance après-vente, directement ou à travers un réseau de centres d'assistance autorisés pour les éventuelles réparations ou pour le remplacement et la vente de pièces de rechange d'origine. La liste des centres d'assistance est fournie sur la dernière page de ce manuel d'instructions.

INSTRUCTIONS DE MONTAGE

⚠ ATTENTION:

ASSEMBLAGE PAR UN ADULTE REQUIS. PRENDRE GARDE AU MOMENT DE DEBALLER CAR LES COMPOSANTES À ASSEMBLER PEUVENT COMPORTER UN DANGER DE PETITES PIÈCES OU DE BORDS TRANCHANTS. LA BATTERIE EST DÉJÀ EN PLACE À L'INTÉRIEUR DU VÉHICULE.

MONTAGE

- 1 • Dévisser les 2 poignées situées sous le siège.
- 2 • Placer le siège comme indiqué sur la figure.
- 3 • ATTENTION : le siège est réglable en 2 positions en fonction de la hauteur de l'enfant (voir la figure). Position 1 : le siège est plus haut et en arrière. Position 2 : le siège est plus bas et en avant.

- 4 • Coucher le véhicule sur un flanc en maintenant le siège en position. Dévisser le couvercle du compartiment-châssis situé sous le véhicule.
- 5 • Ouvrir le couvercle pour accéder aux poignées de fixation du siège.
- 6 • Visser les 2 poignées de fixation du siège comme indiqué sur la figure. Fermer et revisser le couvercle.
- 7 • Enclencher les 2 verres des phares arrière.
- 8 • Assembler les clignotants comme indiqué sur la figure.
- 9 • Monter les 2 clignotants à l'avant du véhicule comme indiqué sur les figures 1-2 et en veillant à ce que la partie creuse du clignotant soit tournée vers le bas.
- 10 • Monter correctement par pression les 2 phares avant comme indiqué sur la figure A.
- 11 • Dévisser le panneau situé à l'arrière du module électronique, insérer deux piles de 1,5 Volt - Ne pas inclure - en place dans leur logement en respectant la polarité. Revisser le panneau.
- 12 • Monter le module électronique en insérant les deux languettes dans les encoches de la coque, comme sur la figure, et le fixer avec la vis.
- 13 • Mettre le volant en place. Fixer le volant avec la rondelle et la vis fournies.
- 14 • Monter par pression le bouchon du volant comme indiqué sur la figure.
- 15 • Dévisser le capot.
- 16 • Tirer le capot vers soi, en le soulevant par un mouvement de rotation (voir la figure), puis l'enlever.
- 17 • Connecter la fiche de la batterie à celle de l'installation.
- 18 • Refermer le capot en prenant soin d'insérer correctement les languettes dans les encoches de la coque. ATTENTION: le détail A illustre un mauvais montage du coffre. Le véhicule est prêt à l'emploi.

CARACTÉRISTIQUES ET EMPLOI DU VÉHICULE

- 19 • MODULE ÉLECTRONIQUE : pour mettre en marche le module électronique, tourner la clef. Pour actionner le klaxon, presser le bouton de droite sur le tableau de bord. Pour actionner les clignotants, presser le bouton de gauche sur le tableau de bord.
- Après l'utilisation, il est recommandé de tourner la clef dans le sens inverse des aiguilles d'une montre afin d'éviter que la batterie ne se décharge.
- 20 • PÉDALE D'ACCÉLÉRATEUR/FREIN ÉLECTRIQUE: en soulevant le pied de la pédale, le frein entre automatiquement en fonction.
- 21 • EN OPTION : Remorque.

REPLACEMENT DE LA BATTERIE

- 22 • Dévisser le capot.
- 23 • Tirer le capot vers soi, en le soulevant par un mouvement de rotation (voir la figure), puis l'enlever.
- 24 • Dévisser les 2 vis du cache batterie.
- 25 • Débrancher les deux fiches et enlever la batterie.
- 26 • Insérer la batterie de rechange de 6V-8Ah et connecter les 2 fiches.
- 27 • Revisser le cache batterie en le retournant, comme sur la figure. Refermer le capot en suivant les instructions données plus haut (fig. 18) et le fixer avec la vis.

CHARGE DE LA BATTERIE

⚠ ATTENTION:

L'OPÉRATION DE CHARGE DES BATTERIES ET TOUTES AUTRES INTERVENTIONS SUR L'ÉQUIPEMENT ÉLECTRIQUE DOIVENT ÊTRE EFFECTUÉES EXCLUSIVEMENT PAR DES ADULTES. IL EST POSSIBLE DE CHARGER LA BATTERIE SANS LA DÉMONTER DU JOUET.

- 28 • Débrancher la fiche A de la fiche B en appuyant sur les côtés.
- 29 • Insérer la fiche du chargeur de la batterie dans une prise de courant en suivant les instructions jointes. Brancher la fiche B et la fiche C du chargeur de la batterie.
- 30 • Une fois la charge terminée, débrancher le chargeur de batterie C de la prise domestique en premier lieu et ensuite de la fiche de la batterie B.
- 31 • Insérer à fond jusqu'au dé clic la fiche A dans la fiche B. Une fois toutes les opérations terminées, veiller à bien refermer le capot.

MAINTENANCE ET SÉCURITÉ BATTERIE

Avant d'utiliser le véhicule pour la première fois, recharger les batteries pendant 18 heures. La non-observation des instructions dans cette brochure peut entraîner le risque des dommages irréversibles à la batterie.

⚠ PRECAUTION:

Les batteries ne doivent être rechargées que par ou sous la surveillance d'adultes. Ne pas laisser les enfants jouer avec les batteries. Utiliser uniquement le chargeur de batterie fourni et les batteries originales PEG PEREGO. Ne pas utiliser simultanément des batteries neuves et usagées. Ne pas utiliser simultanément des batteries alcalines standard (zinc-carbone) ou rechargeables (nickel-cadmium).

RECHARGEMENT DES BATTERIES

- Charger les batteries sans dépasser les 24 heures et en suivant les instructions jointes au chargeur de batterie.
- Recharger les batteries à temps, dès que le véhicule perd de la vitesse, pour éviter de les endommager.
- Si on laisse le véhicule arrêté pendant un long intervalle, se rappeler de recharger la batterie et de la laisser débranchée de l'installation; répéter l'opération de rechargement tous les trois mois au moins.
- La batterie ne doit pas être rechargée retournée.
- Ne pas oublier la batterie en rechargement! Contrôler périodiquement.
- Utiliser exclusivement le type de batteries et de chargeur spécifié par PEG PEREGO.
- Les batteries doivent être mises en place avec la polarité correcte.
- Les batteries sont scellées et n'exigent pas de maintenance.

⚠ ATTENTION:

- LES BATTERIES CONTIENNENT DES SUBSTANCES TOXIQUES ET CORROSIVES. NE PAS LES OUVRIR.
- Les batteries contiennent des électrolytes à base d'acide.
- Ne pas provoquer de contact direct entre les plots de la batterie: risque d'explosion et d'incendie.
- Pendant le rechargement, la batterie produit des gaz. Recharger la batterie dans un lieu bien aéré, loin de toute source de chaleur et de matériaux inflammables.

- Les batteries déchargées doivent être enlevées du véhicule.
- Éviter que les batteries entrent en contact avec les vêtements: ceux-ci pourraient s'abîmer.

EN CAS DE FUITE

Se protéger les yeux. Éviter tout contact direct avec l'électrolyte et se protéger les mains. Mettre la batterie dans un sac en plastique et suivre les instructions sur l'élimination des batteries.

SI LA PEAU OU LES YEUX ENTRENT EN CONTACT AVEC L'ELECTROLYTE

Laver abondamment les parties concernées à l'eau courante (pendant 15 minutes au moins). Consulter immédiatement un médecin.

EN CAS D'INGESTION DE ELECTROLYTE

Boire à petites gorgées de l'eau, du lait de magnésie ou de l'albumen d'œuf. Ne pas provoquer de vomissement. Consulter immédiatement un médecin.

ELIMINATION DES BATTERIES

Contribuons à la sauvegarde de l'environnement. Les batteries usées ne doivent pas être jetées dans les ordures ménagères. On peut les déposer dans un centre de récupération de batteries usées ou d'élimination de déchets spéciaux; s'informer à la mairie.



⚠ PRECAUTION PILE 1,5 VOLT

Le mise en place des batteries ne doit être faite que par des adultes. Ne pas laisser les enfants jouer avec les batteries.

- Les piles doivent être remplacées par un adulte.
- Utiliser exclusivement le type de pile spécifié par le constructeur
- Respecter la polarité +/-
- Ne pas mettre les piles au contact de pièces métalliques (risque de feu ou d'explosion).
- Toujours retirer les piles lorsque le jouet n'est pas utilisé pendant une longue période.
- Ne pas jeter les piles dans le feu.
- Ne jamais charger des piles non rechargeables.
- Retirer les piles usées.
- Jeter les piles déchargées dans les récipients prévus pour le recyclage des piles usagées.



ENTRETIEN ET SÉCURITÉ DU VÉHICULE

Ce produit est conforme aux Normes de Sécurité EN 71 et conforme aux Normes de Sécurité pour les jouets électriques EN 50088; il n'est pas conforme aux dispositions des normes de circulation routière et ne peut par conséquent pas circuler sur la voie publique.

Ce produit répond et/ou dépasse tous les CONDITIONS DE SECURITE ASTM TOY et il est conforme à la NORME DE SURETE F 963 pour les utilisateurs des jouets électriques.

SÉCURITÉ, MAINTENANCE ET ENTRETIEN

- Contrôler régulièrement l'état du véhicule, en particulier l'installation électrique, le branchement des fiches, les capots de protection et le chargeur de batterie. Si l'on trouve des défauts, le véhicule électrique et le chargeur de batterie ne doivent pas être utilisés. Pour les réparations, n'utiliser que des pièces de rechange d'origine PEG PEREGO.
- PEG PEREGO décline toute responsabilité en cas de mauvaise utilisation de l'installation électrique.
- Ne pas laisser les batteries ou le véhicule à proximité de sources de chaleur comme des radiateurs, des cheminées, etc.
- Protéger le véhicule de l'eau, de la pluie, de la neige, etc.
- Si le véhicule fonctionne en conditions de surcharge, comme sur le sable mou, la boue ou les terrains très accidentés, l'interrupteur de surcharge coupe immédiatement le courant. La distribution de courant reprend de 10 secondes environ, mais il faut éliminer les conditions de surcharge pour assurer la conduite normale.
- Lubrifier périodiquement (avec une huile légère) les parties mobiles comme roulements à billes, direction, etc., surtout là où ils tournent ou entrent en contact.
- Les surfaces du véhicule peuvent être nettoyées avec un chiffon humide. Ne jamais utiliser des détergents abrasifs. Les opérations de nettoyage doivent être effectuées exclusivement par des adultes.
- Ne jamais démonter les mécanismes du véhicule ou les moteurs, sauf autorisation de PEG

PEREGO.

Conforme à EN 50088
batterie rechargeable sigillée au
plomb de 6V 4,5Ah
1 moteur de 60W

SÉCURITÉ

⚠ ATTENTION:

- Pour éviter tout risque d'accident, la supervision d'un adulte est toujours requise. Ne pas utiliser le véhicule sur les voies publiques, là où il y a des voitures, sur les pentes raides, près de gradins, d'escaliers, de cours d'eau et de piscines; les enfants doivent toujours porter des chaussures quand ils utilisent le véhicule. Le véhicule est assemblé seulement pour un enfant.
- Pour voyager sur surface lisses: goudron, ciment, carreaux.
- Le véhicule n'est pas apte aux enfants âgés de moins de 24 mois pour ses caractéristiques onctionnelles et dimensionnelles.
- Ne pas utiliser le véhicule sur les pentes raides ou près de gradins et d'escaliers. Le véhicule n'est pas conçu pour l'utilisation sur les voies publiques.
- Quand le véhicule fonctionne, faire attention à ce que les enfants ne mettent pas les mains, les pieds ou d'autres parties du corps, des vêtements ou d'autres choses près des parties en mouvement.
- Ne jamais mouiller les composants du véhicule comme les moteurs, les installations, les touches, etc.
- Ne jamais utiliser d'essence ou d'autres substances inflammables près du véhicule.

REGLES POUR UNE CONDUITE SURE

JEU SANS INTERRUPTION: toujours avoir un jeu de batteries chargées prêtes à servir.

Pour la sécurité de l'enfant, avant de mettre le véhicule en marche, lire et suivre attentivement les instructions suivantes.

- ATTENTION !
Vérifier que tous les clous de fixation soient assurés.
- MISE EN ROUTE:
Mettre les deux mains sur le guidon, appuyer sur la pédale d'accélérateur; le véhicule se met en marche à une vitesse d'environ 26mph.
- FREIN:
Le système électrique de freinage

bloque automatiquement le véhicule quand on lève le pied de la pédale d'accélérateur.

Enseigner à l'enfant à utiliser le véhicule correctement pour conduire en sécurité tout en s'amusant.

- Avant de partir, s'assurer que le parcours est libre de personnes ou de choses.
- Conduire avec les mains sur le guidon et toujours regarder la route.
- Freiner à temps pour éviter les accrochages.

⚠ ATTENTION:

- **Si le véhicule fonctionne en conditions de surcharge, comme sur le sable mou, la boue ou les terrains très accidentés, l'interrupteur de surcharge coupe immédiatement le courant. La distribution de courant reprend au bout de 10 secondes environ, mais il faut éliminer les conditions de surcharge pour assurer la conduite normale.**

PROBLEMES?

LE VEHICULE NE MARCHE PAS?

- Vérifier qu'il n'y a pas de câbles débranchés sous le bouton de mise en route.
- Contrôler le fonctionnement de le bouton de mise in route et le remplacer éventuellement.
- Contrôler si la batterie est branchée à l'installation électrique.

LE VÉHICULE MANQUE DE
PUISSANCE?

- Recharger la batterie. Si après l'avoir rechargée le problème persiste, faire contrôler la batterie et le chargeur de batterie par un centre d'assistance autorisé PEG PEREGO.

John Deere E-TRACTOR

Model Number IGED1061

PEG PEREGO S.p.A.

via DE GASPERI 50 20043 ARCORE (MI) ITALIA
tel. 039-60881 fax 039-615869-616454
assistenza: tel. 039-6088213 fax 039-3309992

PEG PEREGO U.S.A Inc.

3625 INDEPENDENCE Dr. FORT WAYNE IN 46808
phone 260-4828191 fax 260-4842940
call us toll free 1-800-728-2108
llame USA gratis 1-800-225-1558
llame Mexico gratis 1-800-710-1369

PEG PEREGO CANADA Inc.

585 GRANITE COURT PICKERING ONT. CANADA L1W3K1
phone 905-8393371 fax 905-8399542
call us toll free 1-800-661-5050

BURIGOTTO S/A INDÚSTRIA E COMÉRCIO

RUA CEARÁ, 406 - VILA SÃO CRISTOVAN - LIMEIRA SP
CEP 13480-565 - TEL (19) 451 0420 - FAX (19) 451 6994
WWW.BURIGOTTO.COM.BR e-mail: info@burigotto.com.br



www.pegperego.com